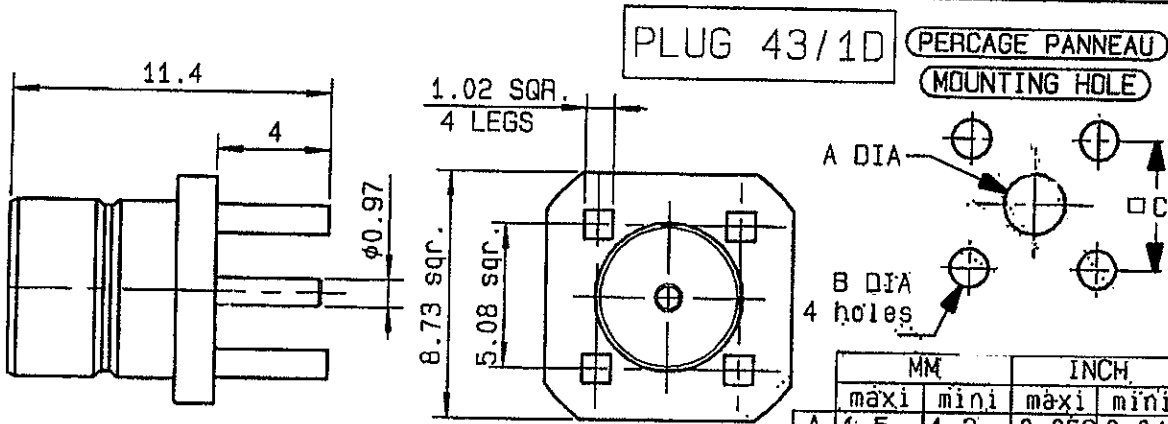


**STRAIGHT PCB RECEPTACLE  
PACK 100**

**R214.426.704**  
SERIES **SMZ**



	MM		INCH	
	maxi	mini	maxi	mini
A	1.5	1.2	0.059	0.047
B	2.0	1.7	0.079	0.067
C	5.10	5.06	0.201	0.199

FINAL IMPEDANCE	75 $\Omega$
FREQUENCY RANGE	0-2.4 GHz
TEMPERATURE RATING	-40/+85 °C
V.S.W.R	NA + x F(GHz)Maxi
RF INSERTION LOSS	NA $\sqrt{F}$ (GHz) dB Maxi
VOLTAGE RATING	NA $V_{eff}$ Maxi
DIELECTRIC WITHSTANDING VOLTAGE	1500 $V_{eff}$ Mini
INSULATION RESISTANCE	5000 M $\Omega$ Mini
HERMETIC SEAL	NA Atm.cm <sup>3</sup> /s
LEAKAGE (pressurized only)	NA
MECHANICAL DURABILITY	Cycles
WEIGHT	10 or
SPECIFICATION	

CABLES

OTHERS CHARACTERISTICS

CABLE RETENTION	NA	N Mini
CENTER CONTACT RETENTION		
Axial force - mating end	10	N Mini
Axial force - opposite end	NA	N Mini
Torque	NA	cm.N Mini
RECOMMENDED TORQUES		
Mating	NA	cm.N
Panel nut	NA	cm.N
Clamp nut	NA	cm.N

CONNECTOR PARTS

MATERIALS

FINISH

(all values are given in micrometers)

BODY	BRASS
OUTER CONTACT	
CENTER CONTACT	BRASS
INSULATOR	PTFE
GASKET	
OTHERS PIECES	

GOLD 0.5 OVER NICKEL 2

GOLD OVER COPPER

ISSUE	CREATION DATE	FILE PART-NUMBER
9642B	01-MAR-95	95-0106-814



**RADIALL®**

The information given here is subject to change without notice. Design changes may be in order to improve the product.

Connect to the future